

R.A.C. Recognition No. 247  
Valid From 8/1/81



**ROYAL AUTOMOBILE CLUB**  
3 Bevinge Square, London, SW1X 8QH  
**SAFETY ROLL BAR CERTIFICATE**

Sample

Manufacturer SAFETY DEVICES Roll bar model No/Designation 3/5R  
Car/s for which roll bar is designed  
Make/s FORD  
Model/s CORTINA I  
F.I.A. Homologation No/s  
Weight of Car/s lbs. lbs. lbs.  
kgs. kgs. kgs.

**ROLL BAR SPECIFICATION**

Main tube Dia. 1.5 ins. 38 mm. Brace/s Dia. 1.5 ins. 38 mm.  
Thickness .108 ins. 2.6 mm. Thickness .108 ins. 2.6 mm.  
Type of welding M. I. G. Weight of total assembly 34 lbs. 15.42 kgs  
Material Specification CDS 2 BS980

**DECLARATION BY DESIGNER** for Roll Bars not complying with F.I.A. design details

I declare that the roll bar described has been \*  
(a) tested under my personal supervision  
(b) shown by my own stress calculations  
or (c) shown by stress calculations carried out under my personal supervision  
to meet the strength requirements specified in current F.I.A. regulations. In addition, I declare  
that all details of the roll bar design including joints, mountings and attachments are also in con-  
formity with these regulations.

\* Delete as appropriate  
Date 5TH JANUARY 1981 Signature P. F. Jowitt Name P. F. JOWITT  
Professional Qualifications C.Eng., F.R.Ae.S., F.I.Prod.E., F.I.Q.A., M.I.Mech.E.

Acceptable signatories must be a Corporate Member of the Royal Aeronautical Society or the Institution of Civil, Mechanical or Structural Engineers.

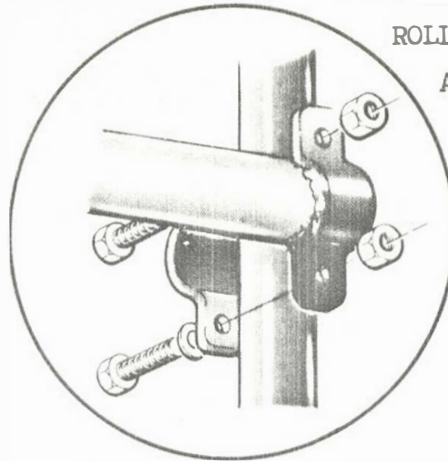
**DECLARATION BY MANUFACTURER**

I declare that the roll bar described is in conformity with the F.I.A. regulations as to design.  
Date 1ST DECEMBER 1980 Signature B. S. Wilkinson Name B. S. WILKINSON  
Status TECHNICAL DIRECTOR

ROLL BAR SPECIFICATION:  
ADDITION.

The section forward of the driver position will be manufactured from:-

- 1.5 ins. 38mm diameter
- .084 ins. 2mm thickness
- ERW Mild Steel Tube.



Drawing of roll-bar including details of joints and mountings.

PHOTOGRAPHS

(Signed)

*P. Jowitt*

R.A.C. GROUP 1 SCRUTINEER

(Countersigned)

*R. N. Green*  
 BRITISH MOTOR SPORTS CLUB  
 ROYAL AUTOMOBILE CLUB